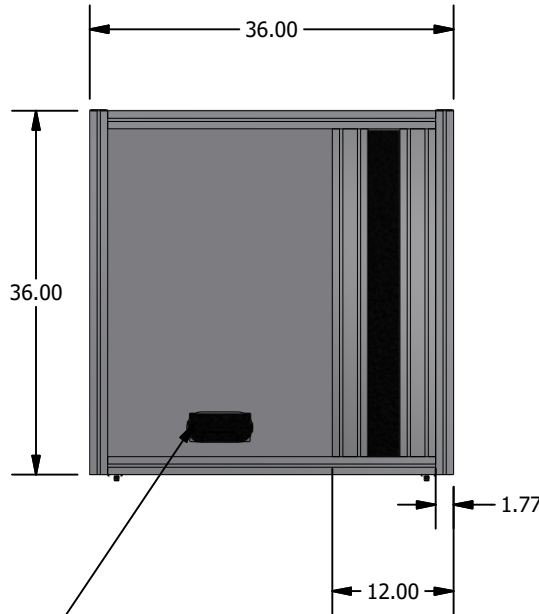
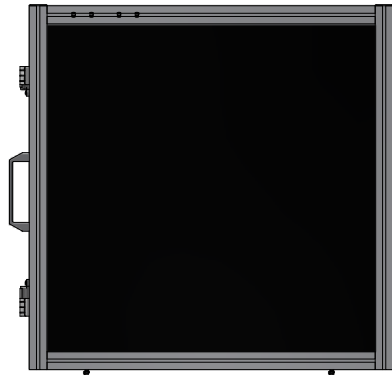
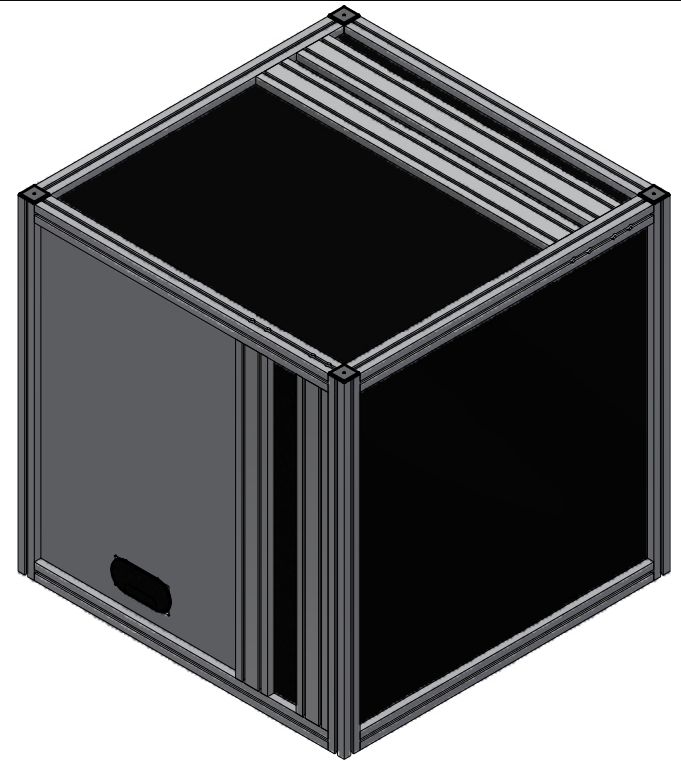
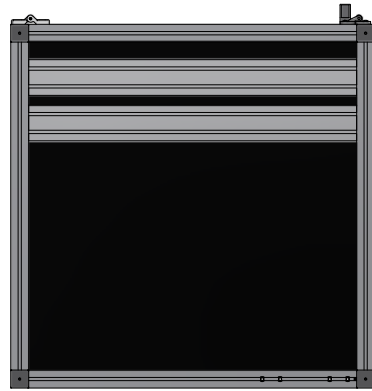


DRAWING APPROVED FOR PRODUCTION BY: _____ DATE _____ APPROVED REVISE & RESUBMIT

_____ APPROVED WITH CHANGES REJECTED


PROJECT MH032624-1 LASER ENCLOSURE FOR WEBSITE		WWW.MINITECFRAMING.COM	
DRAWN BY: Matt Hoard		FARMINGTON, NY	
DATE 3/26/2024		DIRECT # (585) 433-8402	
		FX # (585) 924-4821	
		mhoard@minitecframing.com	
DRAWN FOR JABIL	SALES ORDER # 84764	DWG NO MH032624-1-JABIL - LASER ENCLOSURE	REV
TOLERANCES UNLESS OTHERWISE NOTED .X +/- .020" .XX +/- .010" .XXX +/- .005"		MATERIAL	
		FINISH	
			SHEET 1 OF 11

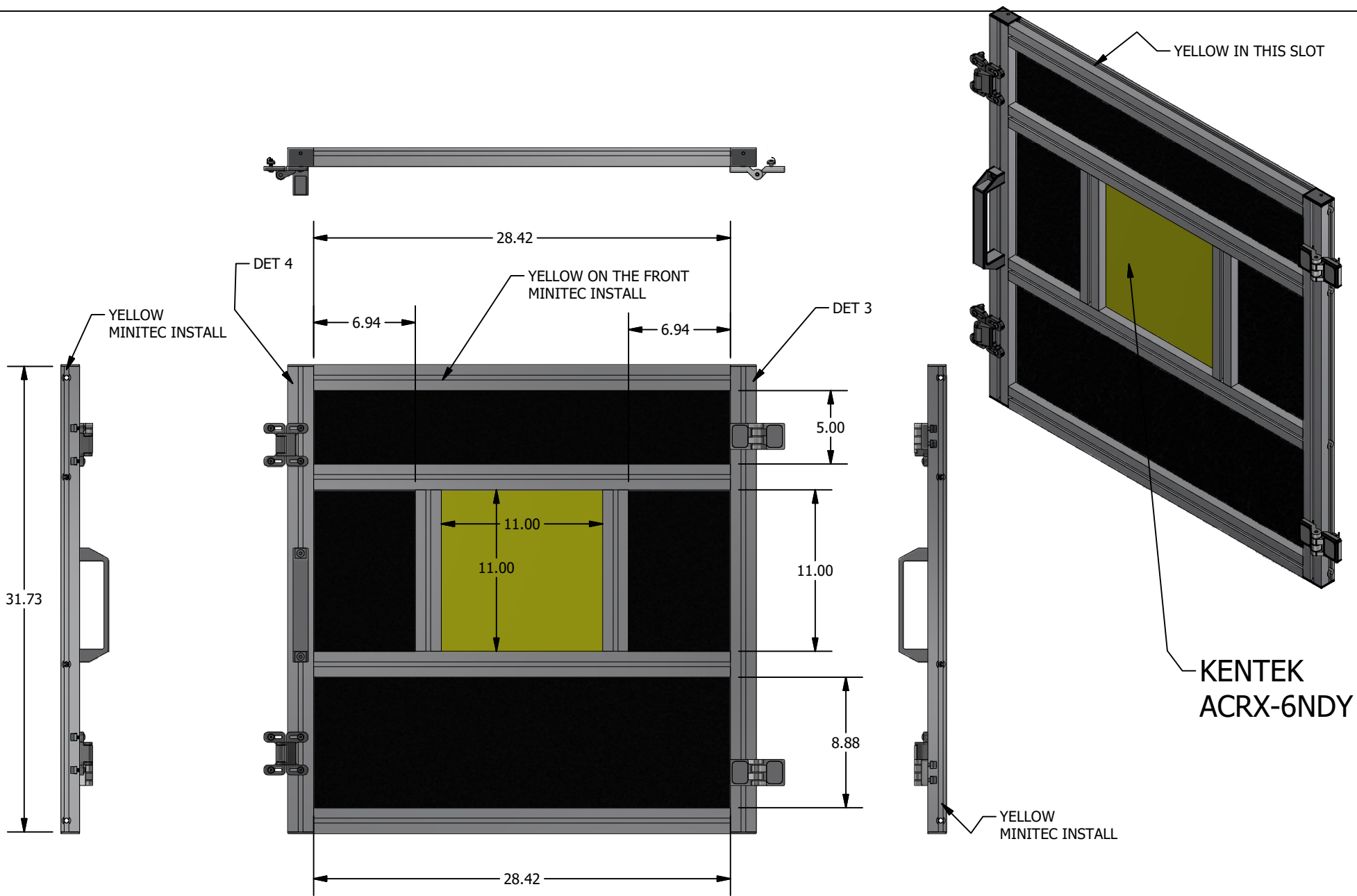


cable grommet
about 6" x 3"

BACK VIEW

APPROVAL INITIALS:

PROJECT MH032624-1 LASER ENCLOSURE FOR WEBSITE		 WWW.MINITECFRAMING.COM FARMINGTON, NY DIRECT # (585) 433-8402 FX # (585) 924-4821 mhoad@minitecframing.com	
DRAWN BY: Matt Hoad			
DATE 3/26/2024			
DRAWN FOR JABIL	SALES ORDER # 84764	DWG NO MH032624-1-JABIL - LASER ENCLOSURE	REV
<small>TOLERANCES UNLESS OTHERWISE NOTED X +/- .020" XX +/- .010" XXX +/- .005"</small>		MATERIAL	
		FINISH	



QTY: _____

PROJECT MH032624-1 LASER ENCLOSURE FOR WEBSITE				WWW.MINITECFRAMING.COM
DRAWN BY: Matt Hoad		FARMINGTON, NY		DIRECT # (585) 433-8402
DATE 3/26/2024		Framing Systems, LLC		FX # (585) 924-4821
DRAWN FOR JABIL		SALES ORDER # 84764	DWG NO SP070512-1 45 UL DOOR BALL LTCH 70	REV
TOLERANCES UNLESS OTHERWISE NOTED X +/- .020" XX +/- .010" XXX +/- .005"		MATERIAL		SHEET 3 OF 11
		FINISH		